

T ECHNICAL INFORMATION

B9968

Subject

▶ Addition of Compression spring 7

Model

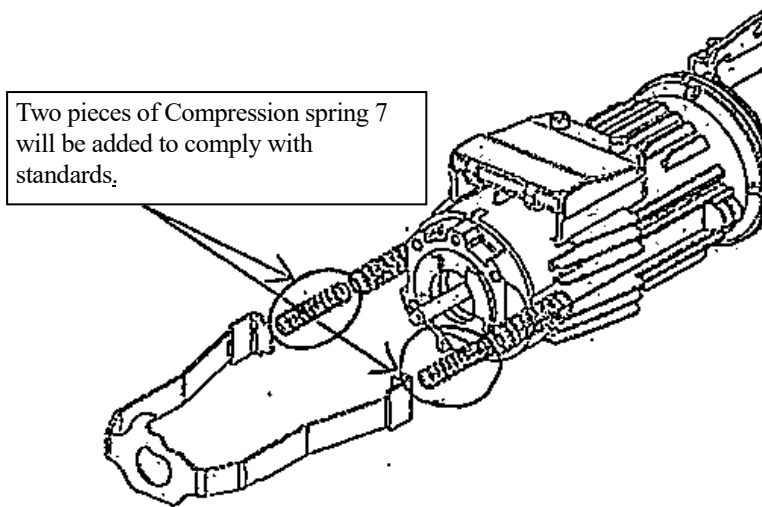
▶ GN01, GN420C

Country

▶ Australia, Austria, Canada, Chile, France, Germany, Italy, Netherlands, Poland, Spain, Sweden, Switzerland, UK

Description

▶ Compression spring 7 will be added to comply with EU standard and ISO standard.



Interchangeability(I/C)

Item No.	Current part	Q'ty	I/C	H/S	S/P	New part	Q'ty	Note
E01						COMPRESSION SPRING 7 234275-1	2	

Implementation

From May 2019 production