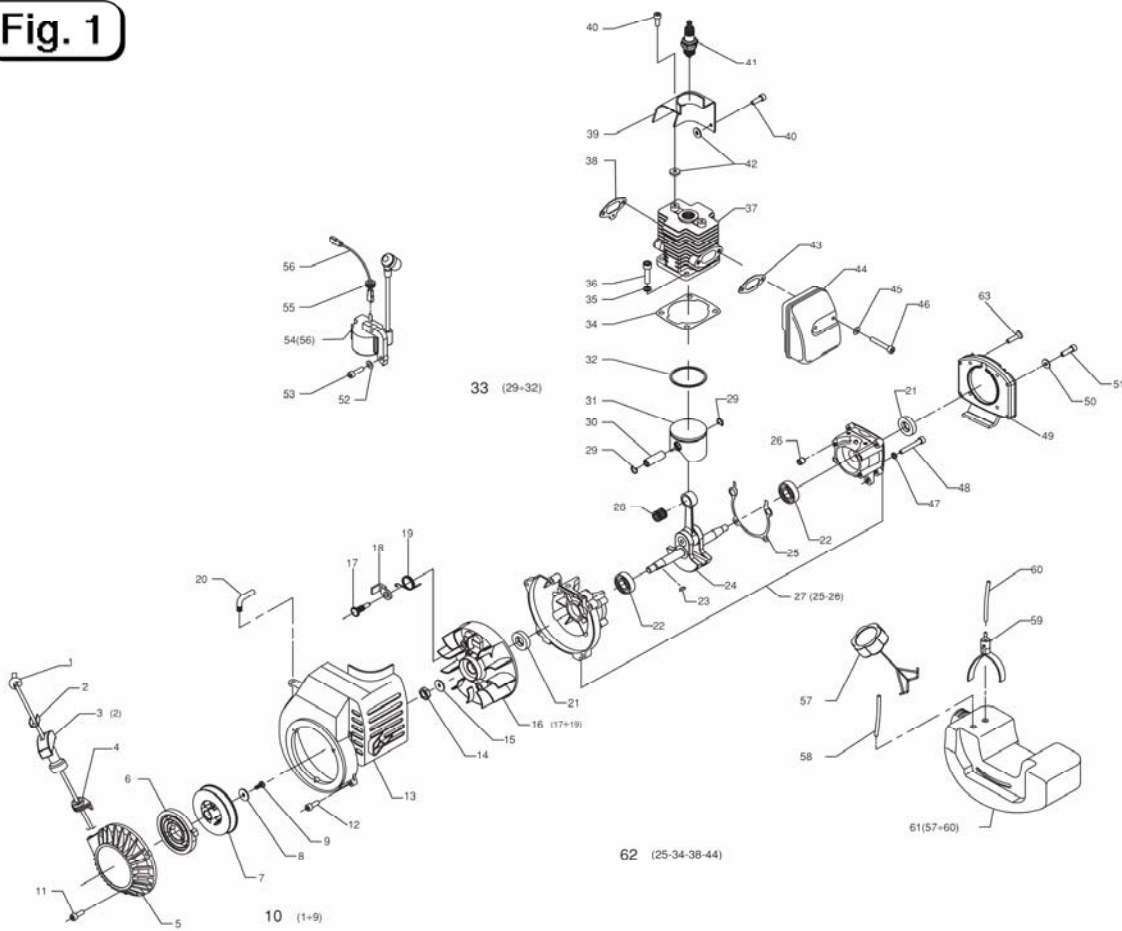


**Fig. 1**

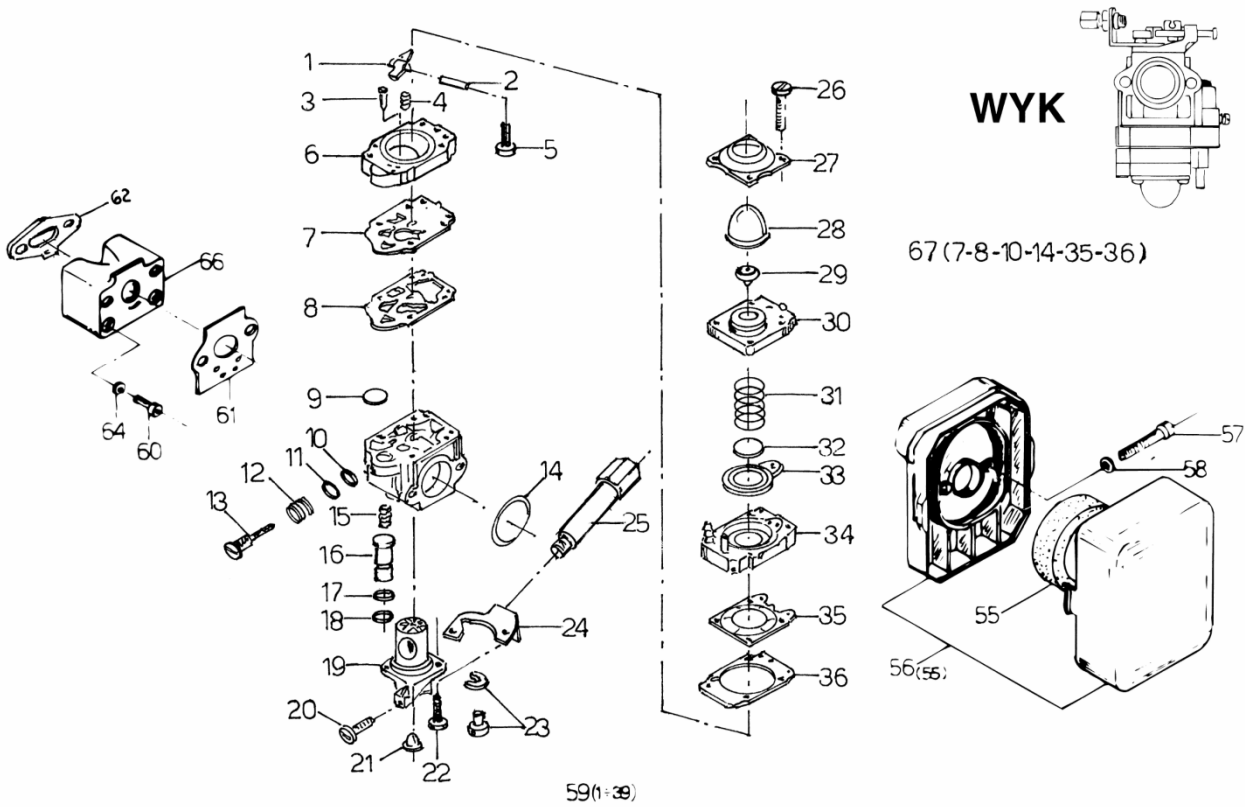




# HTB7600

pos no	item no	EN	NL	FR
A001	BB630070	START ROPE BBA520	STARTKOORD BBA520	CORDE DE DEMARAGE BBA520
A002	BB510190	PLATE BBA520	SLIJTSTRIP/ZOOL BBA520	PLAQUE BBA520
A003	BB724740	STARTING GRIP HTB7600	STARTGREEP HTB7600	POIGNEE DE DEMARRAGE HTB7600
A004	BB540460	CORD GUIDE BUSHING HTB7600	CORD GUIDE BUSHING HRB7600	DOUILLE DE GUIDE DU CORDON HTB
A005	BB540610	STARTER COVER HTB7600	STARTERKAP HTB7600	COUVERTURE DEMARREUR HTB7600
A006	BB180070	START SPRING HTB7600	STARTERVEER HTB7600	RESSORT DE DEMARRAGE HTB7600
A007	BB540450	START PULLEY HTB7600	STARTPOELIE HTB7600	POULIE DE DEMARRAGE HTB7600
A008	BB090720	FLAT WASHER BBA520	SLUITRING BBA520	BAGUE DE FERMETURE BBA520
A009	BB030360	SELF-TAPPING SCREW HTB7600	ZELFTAPPENDE SCHROEF HTB7600	VIS AUTOFILETEUSE HTB7600
A010	BB720830	RECOIL ASSY HTB7600	RECOIL CPL HTB7600	RECOIL CPL HTB7600
A011	BB030580	SCREW HTB7600	SCHROEF HTB7600	VIS HTB7600
A012	BB030410	SCREW 115X18 BBA520	SCHROEF 115X18 BBA520	VIS 115X18 BBA520
A013	BB540470	FLYWHEEL COVER HTB7600	VLIEGWIEL DEKSEL HTB7600	COUVERCLE ROUE POLAIRE HTB7600
A014	BB060290	NUT HTB7600	MOER HTB7600	ECROU HTB7600
A015	BB090080	GROWER WASHER BBA520	RINGVEER BBA520	RESSORT DE BAGUE BBA520
A016	BB720970	CPL FLYWHEEL MAGNETO HTB7600	MAGNETISCH VLIEGWIEL CPL HTB76	ROUE POLAIRE MAGNETIQUE HTB760
A017	BB390080	PEG FOR START PAWL HTB7600	OPHANGING VOOR START PAL HTB76	PEG POUR DEMARRER LE CLIQUET H
A018	BB510400	START PAWL HTB7600	START PAL HTB7600	CLIQUET ANTI RETOUR HTB7600
A019	BB180160	SPRING FOR START PAWL HTB7600	VEER VR START PAL HTB7600	RESSORT PR CLIQUET ANTI RETOUR
A020	BB330960	ELBOW HTB7600	ELLEBOOG HTB7600	COUDE HTB7600
A021	BB240040	SEALING RING HTB7600	BLOKKEERING HTB7600	BAGUE DE BLOCAGE HTB7600
A022	BB270250	BEARING HTB7600	LAGER HTB7600	ROULEMENT HTB7600
A023	BB420060	TONGUE HTB7600	SPIE HTB7600	CLAVETTE HTB7600
A024	BB752760	CRANKSHAFT HTB7600	KRUKAS HTB7600	VILEBREQUIN HTB7600
A025	BB240180	ENGINE CASING GASKET HTB7600	PAKKING MOTORCAP HTB7600	JOINT DE CARTER DE MOTEUR HTB7
A026	BB420200	CRANKCASE CENTERING PIN BBA520	CENTREERPEN KRUKKAST BBA520	CARTER GOUPILLE DE CENTRAGE BB
A027	BB720930	CPL ENGINE CASING HTB7600	MOTORBEHUIZING CPL HTB7600	CARTER MOTEUR CPL HTB7600
A028	BB270310	CAGE HTB7600	HUIS HTB7600	CARTER HTB7600
A029	BB150290	PIN STOP RING HTB7600	BORGRING HTB7600	CIRCLIP HTB7600
A030	BB420260	PISTON PIN HTB7600	PISTONPEN HTB7600	AXE DE PISTON HTB7600
A031	BB480780	PISTON HTB7600	PISTON HTB7600	PISTON HTB7600
A032	BB150200	PISTON RING HTB7600	ZUIGERVEER HTB7600	SEGMENT DE PISTON HTB7600
A033	BB721740	PISTON SET HTB7600	PISTON SET HTB7600	PISTON SET HTB7600
A034	BB240170	CYLINDER GASKET HTB7600	CYLINDERPAKKING HTB7600	JOINT CYLINDRE HTB7600
A035	BB090800	JUNCTION BBA520	VERBINDINGSPUNT BBA520	JONCTION BBA520
A036	BB030410	SCREW 115X18 BBA520	SCHROEF 115X18 BBA520	VIS 115X18 BBA520
A037	BB480410	CYLINDER HTB7600	CYLINDER HTB7600	CYLINDER HTB7600
A038	BB240190	MANIFOLD GASKET HTB7600	SPRUITSTUK PAKKING HTB7600	JOINT BRIDE D'ADMISSIONHTB7600
A039	BB540490	CYLINDER PROTECTION HTB7600	CYLINDERBESCHERMING HTB7600	PROTECTION CYLINDRE HTB7600
A040	BB030140	SCREW BBA520	SCHROEF BBA520	VIS BBA520
A041	BB450730	SPARK PLUG CHAMPION BBA520	SPARK PLUG CHAMPION BBA520	SPARK PLUG CHAMPION BBA520
A042	BB091080	FIBER WASHER HTB7600	FIBERRING HTB7600	RONDELLE EN FIBRE HTB7600
A043	BB240160	MUFFLER GASKET HTB7600	MUFFLER GASKET HTB7600	MUFFLER GASKET HTB7600
A044	BB751980	MUFFLER HEDGETRIMMER HTB7600	UITLAAT HEGGESCHAAR HTB7600	ECHAPPEMENT PR TAILLE-HAIE HTB
A045	BB090830	ONDULATED WASHER BBA520	SLUITRING BBA520	RONDELLE ONDULEE BBA520
A046	BB030780	SCREW HTB7600	SCHROEF HTB7600	VIS HTB7600
A047	BB090150	GROWER WASHER BBA520	RINGVEER BBA520	RESSORT DE BAGUE BBA520
A048	BB030620	SCREW 115X35 RBC2511-3210	SCHROEF 115X35 RBC2511-3210	VIS 115X35 RBC2511-3210
A050	BB090830	ONDULATED WASHER BBA520	SLUITRING BBA520	RONDELLE ONDULEE BBA520
A051	BB030120	SCREW HTB7600	SCHROEF HTB7600	VIS HTB7600
A052	BB090840	ONDULATED WASHER BBA520	SLUITRING BBA520	RONDELLE ONDULEE BBA520
A053	BB030370	SCREW HTB7600	SCHROEF HTB7600	VIS HTB7600
A054	BB450900	IGNITION COIL HTB7600	ONTSTEKINGSBOBIJN HTB7600	BOBINE D'ALLUMAGE HTB7600
A055	BB541510	CHOCK HTB7600	BUFFER HTB7600	INDUCTOR HTB7600
A056	BB450340	CABLE BBC4500	KABEL BBC4500	CABLE BBC4500
A057	BB723730	CPL TANK CAP HTB7600	TANKDOP CPL HTB7600	BOUCHON RESERVOIR CPL HTB7600
A059	BB330820	FUEL FILTER HTB7600	BENZINEFILTER HTB7600	FILTRE D'ESSENCE HTB7600
A061	BB723350	TANK CPL HTB7600	TANK CPL HTB7600	RESERVOIR CPL HTB7600
A062	BB240250	ENGINE GASKET CPL SET HTB7600	MOTORPAKKING CPL SET HTB7600	JOINT DE MOTEUR SET CPL HTB760
A063	BB030530	SCREW HTB7600	SCHROEF HTB7600	VIS HTB7600

**Fig. 2**



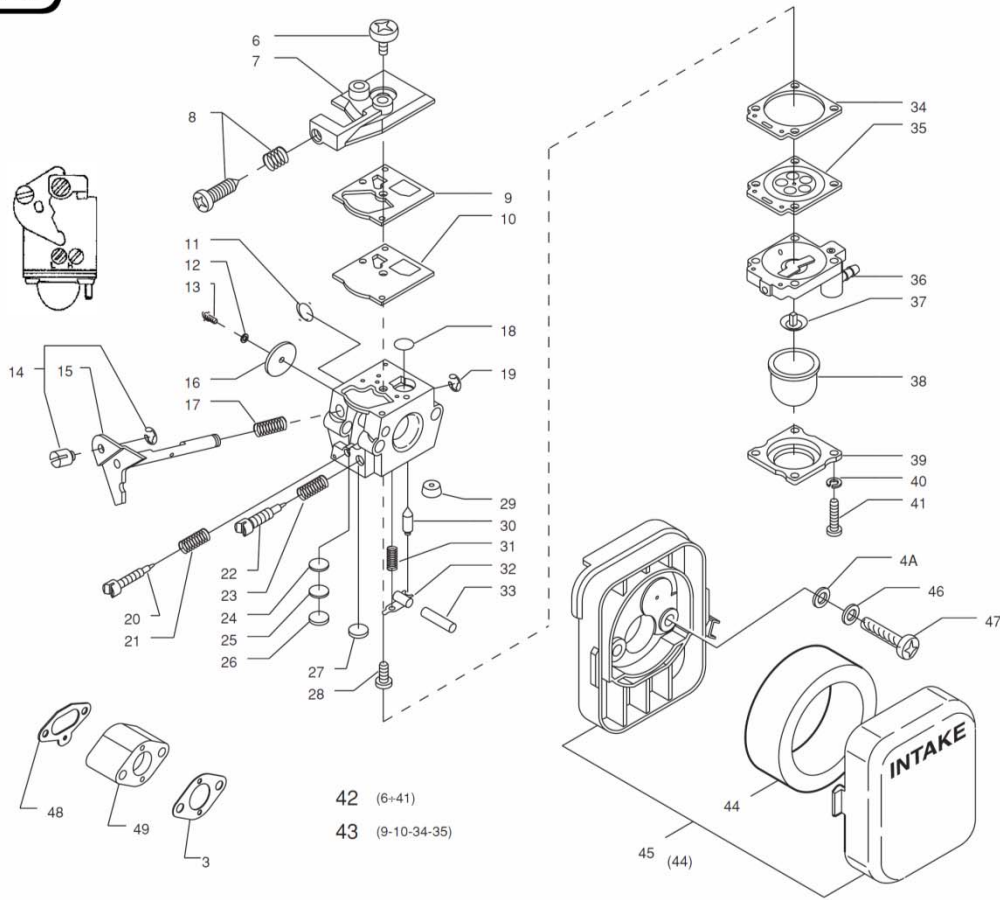


## HTB7600

pos no	item no	EN	NL	FR
B001	BB166-48	LEVER-METERING BBA520	INSTELHEFBOOM BBC4500	LEVIER DE POINTEAU
B002	BB144-77	PIN-METERING LEVER BBA520	INSTELHEFBOOM PIN BBA520	AXE DE LEVIER BBA520
B003	BB82-82	VALVE HTB7600	KLEP HTB7600	SOUPAPE HTB7600
B004	BB98-3160	METERING SPRING PAK HTB7600	DOSEERVEER PAK HTB7600	RESSORT DE DOSAGE PAK HTB7600
B005	BB96-424	SCREW HTB7600	SCHROEF HTB7600	VIS HTB7600
B006	BB5-2600	PUMP BODY HTB7600	POMPHUIS HTB7600	CARTER POMPE HTB7600
B007	BB95-124	DIAPHRAGM-PUMP HTB7600	DIAFRAGMA-POMP HTB7600	DIAPHRAGME-POMPE HTB7600
B008	BB92-334	GASKET HTB7600	DICHTING HTB7600	JOINT HTB7600
B009	BB140-70	FUEL-INLET SCREEN BBA520	BENZINE-INLEGEZEEF BBA520	ESSENCE-FILTRE INTERIEUR
B010	BB16-105	RING HTB7600	RING HTB7600	BAGUE HTB7600
B011	BB136-152	WASHER HTB7600	SLUITRING HTB7600	RONDELLE HTB7600
B012	BB98-404	SPRING-NEEDLE HTB7600	AFSTEL VEER HTB7600	RESSORT-AIGUILLE HTB7600
B013	BB102-3092	HIGH SPEED NEEDLE HTB7600	NAALD HOGE SNELHEID HTB7600	AIGUILLE HAUTE VITESSE HTB7600
B014	BB16-171	CARBURETOR GASKET HTB7600	CARBURATORDICHTING HTB7600	JOINT CARBURATEUR HTB7600
B015	BB98-478	SPRING VALVE STARTER HTB7600	STARTERVEER HTB7600	RESSORT DE SOUPAPE HTB7600
B016	BB176-65	STARTING VALVE HTB7600	STARTERSKLEP HTB7600	SOUPAPE DE DEMARRAGE HTB7600
B017	BB16-172	RING HTB7600	RING HTB7600	BAGUE HTB7600
B018	BB16-170	RING HTB7600	RING HTB7600	BAGUE HTB7600
B020	BB96-314	CABLE ADJUSTING SCREW HTB7600	VASTZETSCHROEF HTB7600	VIS DE REGLAGE HTB7600
B021	BB88-169	CAP HTB7600	KAPJE HTB7600	CAPUCHON HTB7600
B022	BB96-323	GAS CABLE SUPPORT SCREW	AFSTELSCHROEF GASKABEL	VIS DE SUPPORT CABLE DE GAZ
B024	BB167-143	REGULATOR MOUNTING FR CARBU	MONTAGEREGELAAR VR CARBU.	SUPPORT DE REGUL. POUR CARBU.
B026	BB96-434	COVER PUMP SCREW HTB7600	POMPHUISSCHROEF HTB7600	VIS CARTER DE POMPE HTB7600
B027	BB21-3169	PRIMER PUMP COVER HTB7600	POMPDEKSEL HTB7600	COUVERCLE POMPE HTB7600
B028	BB188-13	PRIMER PUMP HTB7600	VOORPOMP HTB7600	POMPE D'AMORCAGE HTB7600
B029	BB176-64	CHECKING VALVE BBA520	CONTROLEKLEP BBA520	CONTROLE DE SOUPAPE BBA520
B030	BB5-2585	BODY ASSY-AIR PURGE HTB7600	BEHUIZING CPL - ONTLUCHTER HTB	CARTER CPL-PURGE D'AIR HTB7600
B031	BB98-3097	SPRING HTB7600	VEER HTB7600	RESSORT HTB7600
B032	BB108-169	DIAPHRAGM HTB7600	MEMBRAAN HTB7600	DIAPHRAGME HTB7600
B033	BB95-125	DIAPHRAGM-START HTB7600	DIAFRAGMA-START HTB7600	DIAPHRAGME-DEMARREUR HTB7600
B034	BB5-2552	DIAPHRAGM-SUPPORT HTB7600	MEMBRAAN-ONDERSTEUNINGHTB7600	DIAPHRAGME-APPUI HTB7600
B035	BB95-526	METERING DIAPHRAGM ASSY BBA520	VLOTTER DIAFRAGMA CPL BBA520	NAPPE DE DOSAGE CPL BBA520
B036	BB92-335	GASKET HTB7600	PAKKING HTB7600	JOINT HTB7600
B055	BB331040	AIR FILTER HTB7600	LUCHTFILTER	FILTRE A AIR
B056	BB331380	AIR CLEANER HTB7600	LUCHTFILTERHUIS HTB7600	ENSEMBLE D'ASPIRATION HTB7600
B057	BB030330	GAS VALVE CONTROL SCREW BBA520	STEUERSCHROEF GASKLEP BBA520	VIS DE SUPPORT ROBINET DE GAZ
B058	BB090830	ONDULATED WASHER BBA520	SLUITRING BBA520	RONDELLE ONDULEE BBA520
B060	BB030070	SCREW M5X30 BBA520	SCHROEF M5X30 BBA520	VIS M5X30 BBA520
B061	BB240310	CARBURETOR GASKET HTB7600	CARBURATORDICHTING HTB7600	JOINT CARBURATEUR HTB7600
B062	BB240190	MANIFOLD GASKET HTB7600	SPRUITSTUK PAKKING HTB7600	JOINT BRIDE D'ADMISSIONHTB7600
B064	BB090800	JUNCTION BBA520	VERBINDINGSPUNT BBA520	JONCTION BBA520
B065	BB240400	MANIFOLD GASKET HTB7600	SPRUITSTUK PAKKING HTB7600	JOINT BRIDE D'ADMISSIONHTB7600
B066	BB541980	MANIFOLD HTB7600	SPRUITSTUK HTB7600	BRIDE D'ADMISSION HTB7600

**Fig. 3**

WT

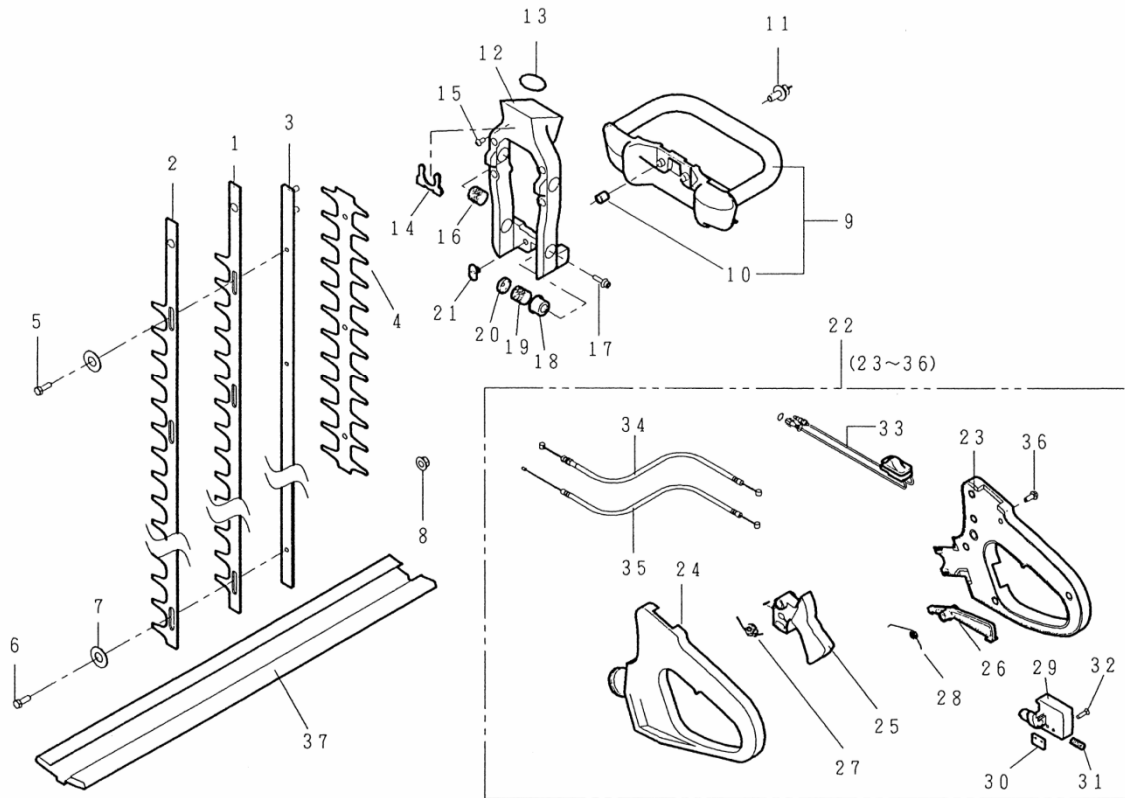




## HTB7600

pos no	item no	EN	NL	FR
C003	BB240130	CARBURETOR GASKET BBA520	CARBURATORDICHTING BBA520	JOINT CARBURATEUR BBA520
C006	BB96-166	SCREW-PUMP COVER BBA520	SCHROEF-POMPDEKSEL BBA520	VIS-COUVERCLE DE POMPE BBA520
C007	BB21-354	PUMP COVER HTB7600	POMPDEKSEL HTB7600	COUVERCLE DE POMPE HTB7600
C008	BB96-297	ADJUSTING SCREW HTB7600	STELSCHROEF HTB7600	VIS DE REGLAGE HTB7600
C009	BB92-225	FUEL PUMP GASKET BBA520	PAKKING BENZINEPOMP BBA520	JOINT POMPE A ESSENCE BBA520
C010	BB95-118	DIAPHRAGM-FUEL PUMP BBA520	DIAFRAGMA-BENZINEPOMP BBA520	DIAPHRAGME-POMPE A ESSENCE
C013	BB96-142	THROTTLE VALVE SCREW BBA520	GAS AFSTELSCHROEF BBA520	VIS DE SOUPEPE D'ACCELERATEUR
C014	BB52-548	SWIVEL ASSY HTB7600	ZWENKELEMENT CPL HTB7600	CAME CPL HTB7600
C015	BB30-1111	THROTTLE ASSY SHAFT HTB7600	SMOORKLEP CPL HTB7600	AXE SOUPEPE D'ACCELERATEUR CPL
C016	BB34-93	THROTTLE VALVE HTB7600	GASKLEP HTB7600	SOUPEPE GAZ HTB7600
C017	BB98-3041	SPRING-THROTTLE RETURN HTB7600	TERUGVEER VR GAS HTB7600	RESSORT DE RETOUR DE GAZ HTB76
C018	BB140-70	FUEL-INLET SCREEN BBA520	BENZINE-INLEGZEEF BBA520	ESSENCE-FILTRE INTERIEUR
C019	BB16-71	SAFETY RING BBA520	OVERBELASTINGSRING BBA520	BAGUE DE SECURITE BBA520
C020	BB102-330	NEEDLE-IDLE BBA520	AFSTEL SCHROEF BBC4500	VIS DE REGLAGE
C021	BB98-404	SPRING-NEEDLE HTB7600	AFSTEL VEER HTB7600	RESSORT-AIGUILLE HTB7600
C023	BB98-405	SPRING-NEEDLE HTB7600	AFSTEL VEER HTB7600	RESSORT-AIGUILLE HTB7600
C026	BB88-119	CAP BBA520	KAPJE BBA520	CAPUCHON BBA520
C027	BB88-171	PLUG-WELCH BBA520	AANSLAG BBA520	RONDELLE DE FERMETURE BBA520
C028	BB96-156	SCREW-METERING LEVER BBA520	SCHROEF-METERING LEVER BBA520	VIS-METERING LEVER BBA520
C029	BB84-613	VALVE SEAT BBA520	KLEPPLAAT BBA520	PLAQUE DE SOUPEPE BBA520
C030	BB82-75	INLET NEEDLE VALVE BBA520	BINNENSTE NAALDKLEP BBA520	AIGUILLE SOUPEPE INTERIEUR
C031	BB98-3228	SPRING HTB7600	VEER HTB7600	RESSORT HTB7600
C032	BB166-48	LEVER-METERING BBA520	INSTELHEFBOOM BBC4500	LEVIER DE POINTEAU
C033	BB144-77	PIN-METERING LEVER BBA520	INSTELHEFBOOM PIN BBA520	AXE DE LEVIER BBA520
C034	BB92-251	METERING GASKET BBA520	PAKKING BBA520	JOINT DE DOSSAGE BBA520
C035	BB95-526	METERING DIAPHRAGM ASSY BBA520	VLOTTER DIAFRAGMA CPL BBA520	NAPPE DE DOSAGE CPL BBA520
C037	BB176-64	CHECKING VALVE BBA520	CONTROLEKLEP BBA520	CONTROLE DE SOUPEPE BBA520
C038	BB188-12	PRIMER PUMP BBA520	OPVOERPOMP BBA520	POMPE D'AMORCAGE BBA520
C039	BB21-404	PRIMER PUMP COVER BBA520	POMPDEKSEL BBA520	COUVERCLE POMPE BBA520
C040	BB090190	GROWER WASHER BBA520	RINGVEER BBA520	RESSORT DE BAGUE BBA520
C041	BB96-578	COVER MEMBRANE SCREW BBA520	MEMBRAANSCHROEFDEKSEL BBA520	VIS DU COUVERTURE MEMBRANE BBA
C042	BB331510	CARBURETOR HTB7600	CARBURATOR HTB7600	CARBURATEUR HTB7600
C044	BB331040	AIR FILTER HTB7600	LUCHTFILTER	FILTRE A AIR
C045	BB331480	AIR FILTER ASSY BBA520	LUCHTFILTER CPL BBA520	FILTRE A AIR CPL BBA520
C046	BB090830	ONDULATED WASHER BBA520	SLUITRING BBA520	RONDELLE ONDULEE BBA520
C048	BB240190	MANIFOLD GASKET HTB7600	SPRUITSTUK PAKKING HTB7600	JOINT BRIDE D'ADMISSIONHTB7600
C049	BB540500	CARBURETOR MANIFOLD HTB7600	SPRUITSTUK CARBURATEUR HTB7600	CARBURETOR COLLECTEUR HTB7600

**Fig. 4**



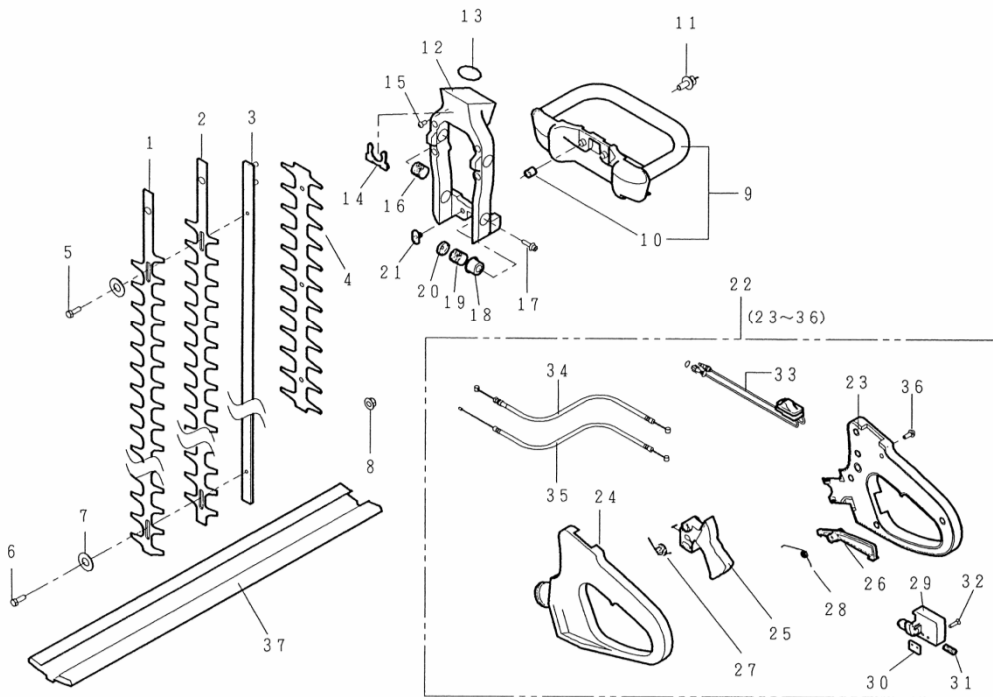


## HTB7600

pos no	item no	EN	NL	FR
D001	BB91053-122	BLADE HTB7600	BLAD HTB7600	LAME HTB7600
D002	BB91054-113	BLADE HTB7600	BLAD HTB7600	LAME HTB7600
D003	BB11051-128	GUIDE BAR HTB7600	ZWAARD HTB7600	GUIDE LAME HTB7600
D004	BB51090-122	BLADE PROTECTION HTB7600	MESBESCHERMING HTB7600	PROTECTION DE LAME HTB7600
D005	BB31029-105	STEP BOLT HTB7600	SLOTBOUW HTB7600	BOULON DE FIX. DE MARCHE HTB76
D006	BB31029-110	STEP BOLT HTB7600	SLOTBOUW HTB7600	BOULON DE FIX. DE MARCHE HTB76
D007	BB68002-101	WASHER FR HEDGETRIMMER HTB7600	SLUITRING VR HEGGESCHAAR HTB76	RONDELLE PR TAILLE-HAIE HTB760
D008	BB584L-0600	NUT M6 HTB7600	NUT M6 HTB7600	NUT M6 HTB7600
D009	BB51027-238	HANDLE FR HEDGETRIMMER HTB7600	HENDEL VR HEGGESCHAAR HTB7600	LEVIER PR TAILLE-HAIE HTB7600
D010	BB98030-621	BUSHING F HEDGETRIMMER HTB7600	DOORVOER VOOR HEGGENSCHAAR HTB	DOUILLE POUR TAILLE-HAIE HTB7
D011	BB31057-235	SCREW FOR HEDGETRIMMER HTB7600	SCHROEF VOOR HEGGESCHAAR HTB76	VIS PR TAILLE-HAIE HTB7600
D012	BB51022-171	HEDGE TRIMMER MOUNTING HTB7600	BEVESTIGING HEGGENSCHAAR HTB76	SUPPORT PR TAILLE-HAIES HTB760
D013	BB214B-5000	FASTENING CLIP HTB7600	FASTENING CLIP HTB7600	FASTENING CLIP HTB7600
D015	BB477L-0408	SELF-TAPPING SCREW HTB7600	ZELFTAPPENDE SCHROEF HTB7600	VIS AUTOFILETEUSE HTB7600
D016	BB68013-326	BLADE SUPPORT SPRING HTB7600	VEER STEUNBLAD HTB7600	RESSORT LAME SUPPORT HTB7600
D017	BB423U-0515	SCREW M5X15 HTB7600	SCHROEF M5X15 HTB7600	VIS M5X15 HTB7600
D018	BB11102-210	ANTIVIBRATING BEARING HTB7600	ANTIVIBRERENDE LAGER HTB7600	ROULEMENT ANTIVIBRATOIRE HTB76
D019	BB68013-327	ANTIVIBRATING SPRING HTB7600	ANTI-VIBRATIE VEER HTB7600	RESSORT ANTIVIBRATOIRE HTB7600
D020	BB11102-209	ANTIVIBRATING BEARING HTB7600	ANTIVIBRERENDE LAGER HTB7600	ROULEMENT ANTIVIBRATOIRE HTB76
D021	BB31038-102	FIXING NUT HTB7600	BEVESTIGINGSMOER HTB7600	ECROU DE CALAGE HTB7600
D022	BB71014-369	HANDLE CPL HTB7600	HANDGREEP CPL HTB7600	POIGNEE CPL HTB7600
D023	BB51106-127	RIGHT HANDLE HTB7600	GREEP RECHTS HTB7600	POIGNEE DROITE HTB7600
D024	BB51106-128	LEFT HANDLE HTB7600	GREEP LINKS HTB7600	POIGNEE GAUCHE HTB7600
D025	BB91010-190	ACCELERATOR HTB7600	GASPEDAAL HTB7600	POMPE DE REPRISSE HTB7600
D026	BB36081-113	STARTER BLOCK LEVER HTB7600	STARTHENDEL HTB7600	LEVIER DE STARTER HTB7600
D027	BB68013-321	SPRING HTB7600	VEER HTB7600	RESSORT HTB7600
D028	BB68013-322	SPRING HTB7600	VEER HTB7600	RESSORT HTB7600
D029	BB36061-142	STARTER HANDLE HTB7600	STARTERGREEP HTB7600	POIGNEE DEMARREUR HTB7600
D030	BB11050-167	FASTENING BRACKET HTB7600	BEVESTIGINGSBEUGEL HTB7600	FIXATION SUPPORT HTB7600
D031	BB68013-323	SPRING HTB7600	VEER HTB7600	RESSORT HTB7600
D032	BB465L-0310	SELF-TAPPING SCREW HTB7600	ZELFTAPPENDE SCHROEF HTB7600	VIS AUTOFILETEUSE HTB7600
D033	BB71148-149	SWITCH HTB7600	SCHAKELAAR HTB7600	INTERRUPTEUR HTB7600
D034	BB91057-108	BRAKE CABLE HTB7600	REMKABEL HTB7600	CABLE FREIN HTB7600
D035	BB91001-311	THROTTLE CABLE HTB7600	VERSNELLINGSKABEL HTB7600	CABLE ACCELERATEUR HTB7600
D036	BB471L-0420	SELF-TAPPING SCREW HTB7600	ZELFTAPPENDE SCHROEF HTB7600	VIS AUTOFILETEUSE HTB7600
D037	BB36065-388	BLADE GUARD HTB7600	BLADBESCHERMKAP HTB7600	CARTER DE LAME HTB7600



**Fig. 5**

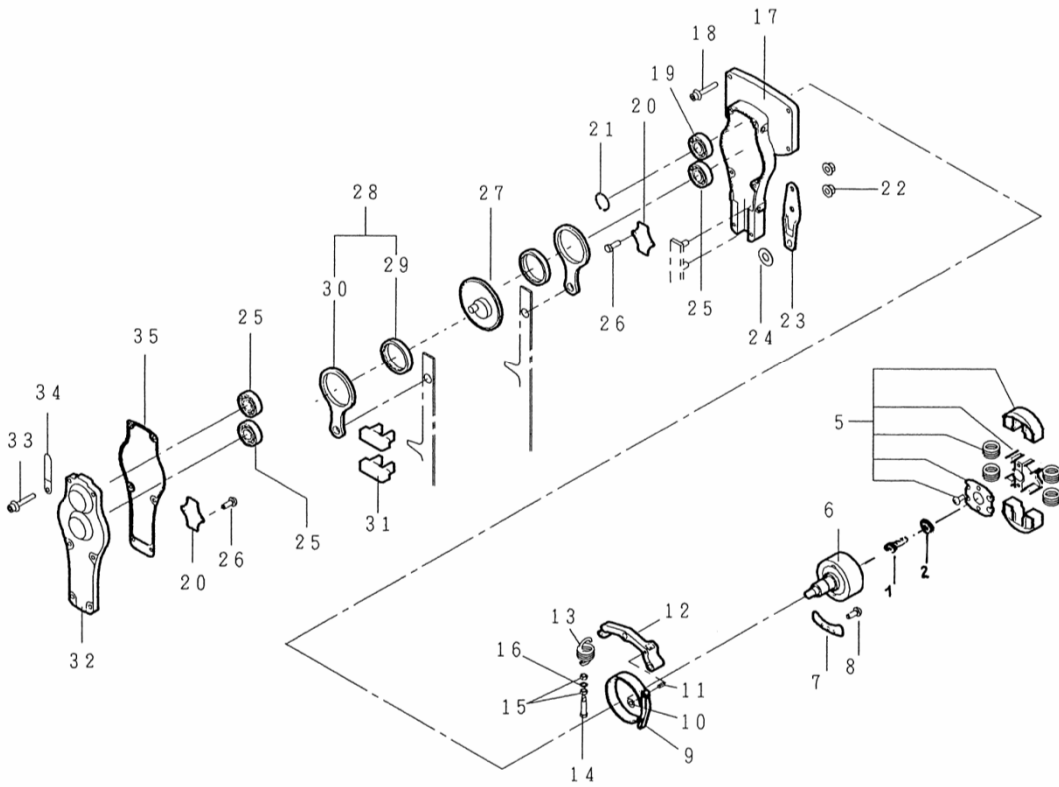




# HTB7600

pos no	item no	EN	NL	FR
E001	BB91053-123	BLADE HTB7600	BLAD HTB7600	LAME HTB7600
E002	BB91054-116	BLADE HTB7600	BLAD HTB7600	LAME HTB7600
E003	BB11051-128	GUIDE BAR HTB7600	ZWAARD HTB7600	GUIDE LAME HTB7600
E004	BB51090-122	BLADE PROTECTION HTB7600	MESBESCHERMING HTB7600	PROTECTION DE LAME HTB7600
E005	BB31029-105	STEP BOLT HTB7600	SLOTBOUW HTB7600	BOULON DE FIX. DE MARCHE HTB76
E006	BB31029-110	STEP BOLT HTB7600	SLOTBOUW HTB7600	BOULON DE FIX. DE MARCHE HTB76
E007	BB68002-101	WASHER FR HEDGETRIMMER HTB7600	SLUITRING VR HEGGESCHAAR HTB76	RONDELLE PR TAILLE-HAIE HTB760
E008	BB584L-0600	NUT M6 HTB7600	NUT M6 HTB7600	NUT M6 HTB7600
E009	BB51027-238	HANDLE FR HEDGETRIMMER HTB7600	HENDEL VR HEGGESCHAAR HTB7600	LEVIER PR TAILLE-HAIE HTB7600
E010	BB98030-621	BUSHING F HEDGETRIMMER HTB7600	DOORVOER VOOR HEGGENSCHAAR HTB	DOUILLE POUR TAILLE-HAIE HTB7
E011	BB31057-235	SCREW FOR HEDGETRIMMER HTB7600	SCHROEF VOOR HEGGESCHAAR HTB76	VIS PR TAILLE-HAIE HTB7600
E012	BB51022-171	HEDGE TRIMMER MOUNTING HTB7600	BEVESTIGING HEGGENSCHAAR HTB76	SUPPORT PR TAILLE-HAIES HTB760
E013	BB214B-5000	FASTENING CLIP HTB7600	FASTENING CLIP HTB7600	FASTENING CLIP HTB7600
E015	BB477L-0408	SELF-TAPPING SCREW HTB7600	ZELFTAPPENDE SCHROEF HTB7600	VIS AUTOFILETEUSE HTB7600
E016	BB68013-326	BLADE SUPPORT SPRING HTB7600	VEER STEUNBLAD HTB7600	RESSORT LAME SUPPORT HTB7600
E017	BB423U-0515	SCREW M5X15 HTB7600	SCHROEF M5X15 HTB7600	VIS M5X15 HTB7600
E018	BB11102-210	ANTIVIBRATING BEARING HTB7600	ANTIVIBRERENDE LAGER HTB7600	ROULEMENT ANTIVIBRATOIRE HTB76
E019	BB68013-327	ANTIVIBRATING SPRING HTB7600	ANTI-VIBRATIE VEER HTB7600	RESSORT ANTIVIBRATOIRE HTB7600
E020	BB11102-209	ANTIVIBRATING BEARING HTB7600	ANTIVIBRERENDE LAGER HTB7600	ROULEMENT ANTIVIBRATOIRE HTB76
E021	BB31038-102	FIXING NUT HTB7600	BEVESTIGINGSMOER HTB7600	ECROU DE CALAGE HTB7600
E022	BB71014-369	HANDLE CPL HTB7600	HANDGREEP CPL HTB7600	POIGNEE CPL HTB7600
E023	BB51106-127	RIGHT HANDLE HTB7600	GREEP RECHTS HTB7600	POIGNEE DROITE HTB7600
E024	BB51106-128	LEFT HANDLE HTB7600	GREEP LINKS HTB7600	POIGNEE GAUCHE HTB7600
E025	BB91010-190	ACCELERATOR HTB7600	GASPEDAAL HTB7600	POMPE DE REPRISSE HTB7600
E026	BB36081-113	STARTER BLOCK LEVER HTB7600	STARTHENDEL HTB7600	LEVIER DE STARTER HTB7600
E027	BB68013-321	SPRING HTB7600	VEER HTB7600	RESSORT HTB7600
E028	BB68013-322	SPRING HTB7600	VEER HTB7600	RESSORT HTB7600
E029	BB36061-142	STARTER HANDLE HTB7600	STARTERGREEP HTB7600	POIGNEE DEMARREUR HTB7600
E030	BB11050-167	FASTENING BRACKET HTB7600	BEVESTIGINGSBEUGEL HTB7600	FIXATION SUPPORT HTB7600
E031	BB68013-323	SPRING HTB7600	VEER HTB7600	RESSORT HTB7600
E032	BB465L-0310	SELF-TAPPING SCREW HTB7600	ZELFTAPPENDE SCHROEF HTB7600	VIS AUTOFILETEUSE HTB7600
E033	BB71148-149	SWITCH HTB7600	SCHAKELAAR HTB7600	INTERRUPTEUR HTB7600
E034	BB91057-108	BRAKE CABLE HTB7600	REMKABEL HTB7600	CABLE FREIN HTB7600
E035	BB91001-311	THROTTLE CABLE HTB7600	VERSNELLINGSKABEL HTB7600	CABLE ACCELERATEUR HTB7600
E036	BB471L-0420	SELF-TAPPING SCREW HTB7600	ZELFTAPPENDE SCHROEF HTB7600	VIS AUTOFILETEUSE HTB7600
E037	BB36065-388	BLADE GUARD HTB7600	BLADBESCHERMKAP HTB7600	CARTER DE LAME HTB7600

**Fig. 6**





## HTB7600

pos no	item no	EN	NL	FR
F001	BB030090	SCREW M6X20 BBA520	SCHROEF M6X20 BBA520	VIS M6X20 BBA520
F002	BB090010	GROWER WASHER BBA520	RINGVEER BBA520	RESSORT DE BAGUE BBA520
F005	BB71019-118	CLUTCH SET FR HEDGETRIMMER	KOPPELINGSSET VR HEGGESCHAAR	JEU EMBRAYAGE PR TAILLE-HAIE
F006	BB11014-216	CLUTCH DRUM HTB7600	KOPPELINGSTROMMEL HTB7600	TAMBOUR HTB7600
F007	BB11050-169	FASTENING BRACKET HTB7600	BEVESTIGINGSBEUGEL HTB7600	FIXATION SUPPORT HTB7600
F008	BB423U-0408	SCREW M4X8 HTB7600	SCHROEF M4X8 HTB7600	VIS M4X8 HTB7600
F010	BB612L-0400	FLAT WASHER HTB7600	SLUITRING HTB7600	BAGUE DE FERMETURE HTB7600
F011	BB711V-0416	BRAKE RETURN SPRING HTB7600	RETOURVEER REM HTB7600	RESSORT DE RAPPEL DE FREIN HTB
F012	BB11104-158	BRAKE ARM HTB7600	REMARM HTB7600	ETRIER DE FREIN HTB7600
F013	BB68013-324	BRAKE SPRING HTB7600	REMVEER HTB7600	RESSORT FREIN HTB7600
F014	BB31032-106	BRAKE SPRING FIXING SCREW	BEVESTIGINGSSCHROEF REMVEER	VIS DE FIXATION DE RESSORT DE
F015	BB31058-160	BRAKE SPRING HEX NUT HTB7600	HEX. MOER REMVEER HTB7600	ECROU HEX DE RESSORT DE FREIN
F017	BB51068-106	GEAR BOX HTB7600	AANDRIJVING HTB7600	GROUPE TRACT HTB7600
F018	BB423U-0518	SCREW M5X18 HTB7600	SCHROEF M5X18 HTB7600	VIS M5X18 HTB7600
F019	BB954B-6003	BEARING 6003ZZ HTB7600	LAGER 6003ZZ HTB7600	ROULEMENT 6003ZZ HTB7600
F020	BB11050-168	FASTENING PLATE HTB7600	BEVESTIGINGSPLAAT HTB7600	PLAQUE DE FIXATION HTB7600
F021	BB812V-1700	SEEGER RING HTB7600	KLEMRING HTB7600	CIRCLIP HTB7600
F022	BB571L-0600	HEX NUT HTB7600	ZESKANTBOUT HTB7600	ECROU HEX HTB7600
F023	BB11102-208	BEARING HTB7600	LAGER HTB7600	ROULEMENT HTB7600
F024	BB68037-104	WASHER HTB7600	SLUITRING HTB7600	RONDELLE HTB7600
F025	BB954B-0629	BEARING 629ZZ HTB7600	LAGER 629ZZ HTB7600	ROULEMENT 629ZZ HTB7600
F026	BB31062-152	SCREW M4X8 HTB7600	SCHROEF M4X8 HTB7600	VIS M4X8 HTB7600
F027	BB78004-256	CROWN HTB7600	NIET HTB7600	COURONNE CONIQUE HTB7600
F028	BB11046-104	ROD HTB7600	AS HTB7600	AXE HTB7600
F029	BB954B-6805	BEARING 6805ZZ HTB7600	LAGER 6805ZZ HTB7600	ROULEMENT 6805ZZ HTB7600
F030	BB11048-102	ROD WITHOUT BEARING HTB7600	TREKSTANG ZONDER LAGER HTB7600	BIELLE SANS ROULEMENT HTB7600
F031	BB61010-111	FELT PACKING HTB7600	VILTVERPAKKING HTB7600	EMBALLAGE DE FEUTRE HTB7600
F032	BB51069-104	GEAR BOX COVER HTB7600	VERSNELLINGSBAK DEKSEL HTB7600	BOITE D'ENGRENAGES COUVERC. HT
F033	BB423U-0515	SCREW M5X15 HTB7600	SCHROEF M5X15 HTB7600	VIS M5X15 HTB7600
F035	BB61019-214	GASKET HTB7600	PAKKING HTB7600	JOINT HTB7600