

TECHNICAL INFORMATION

D0270

Subject ▶ Change of Top cap and Stem holder

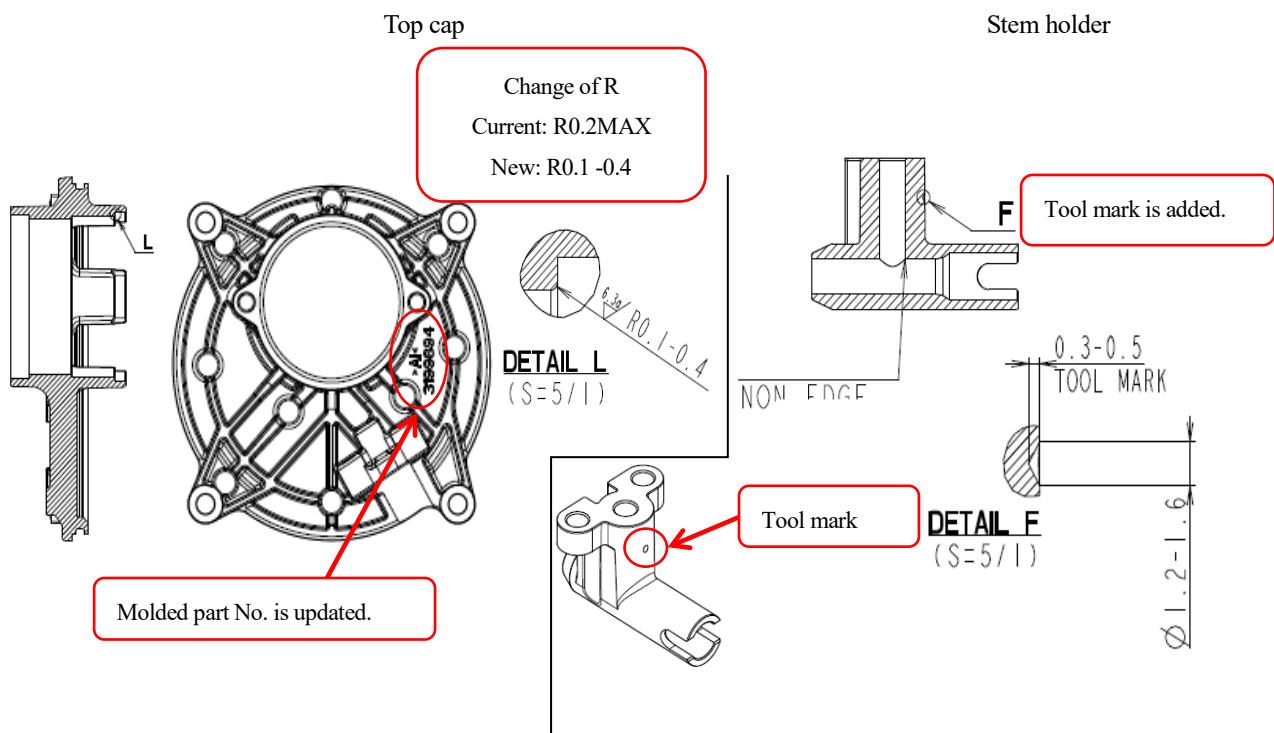
DBN600, XNB02

Note: These models are the subject items under Export Trade Control Order of Japan.

Model ▶ Provision of the items or technical information is strictly prohibited without specific approval of Japanese government. Do not provide this information to anyone who is not permitted to handle the technical information.

Country ▶ All countries

Description ▶ Top cap and Stem holder will be changed to prevent O ring between them from breaking.



Interchangeability(I/C)

Item No.	Current part	Q'ty	I/C	H/S	S/P	New part	Q'ty	Note
021	TOP CAP	1	Yes	OK	D	TOP CAP	1	
	319643-0					319989-4		
019	STEM HOLDER	1	Yes	OK	D	STEM HOLDER	1	
	319644-8					319990-9		

H/S (Handling for agents and distributors stock of the current parts)

• "OK" means the current parts can be used for the subject item No. of the subject models.

S/P (Supplying the current parts for repair from plants)

• "D" means the plants stop supplying the current parts.

Implementation

From October 2019 production